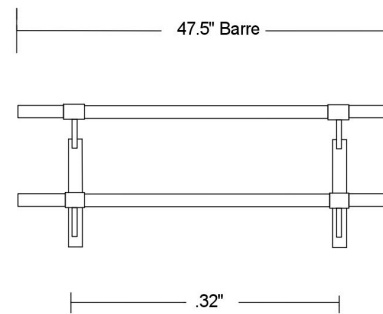




4FT LAYOUT DIAGRAM



System Components:

- 2) 47.5" Barres
- 4) DWB15 Collared Wall Brackets
- 8) Bracket Mounting Hardware
- 8) Barre to Collar Screws
- 8) Bolt Covers
- 1) Instructions Guide

VITA VIBE, Inc.
40 Ellwood Ct. - Greenville, SC 29607
Tel: 864-288-8934 Fax: 864-751-6302

Proudly
Manufactured
In The USA