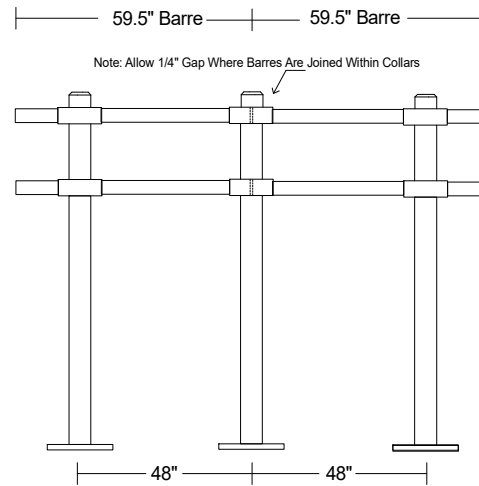


## 10 FT LAYOUT DIAGRAM



### System Components:

- 3) Floor Stanchions
- 4) 59.5" Barres
- 12) Barre to Collar Screws

**VITA VIBE, Inc.**  
40 Ellwood Ct. - Greenville, SC 29607  
Tel: 864-288-8934 Fax: 864-751-6302

Proudly  
Manufactured  
In The USA