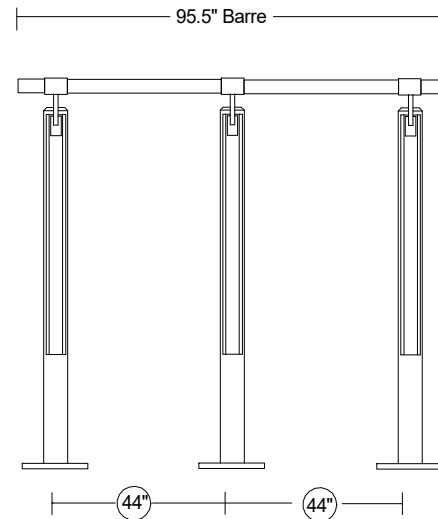


8 FT LAYOUT DIAGRAM



System Components:

- 1) 95.5" Barre
- 3) WB15 Collared Wall Brackets
- 3) Adjustable Floor Stanchions
- 6) Bracket Mounting Hardware
- 6) Barre to Collar Screws
- 6) Bolt Covers
- 1) Instructions Guide

VITA VIBE, Inc.
40 Ellwood Ct. - Greenville, SC 29607
Tel: 864-288-8934 Fax: 864-751-6302

Proudly
Manufactured
In The USA