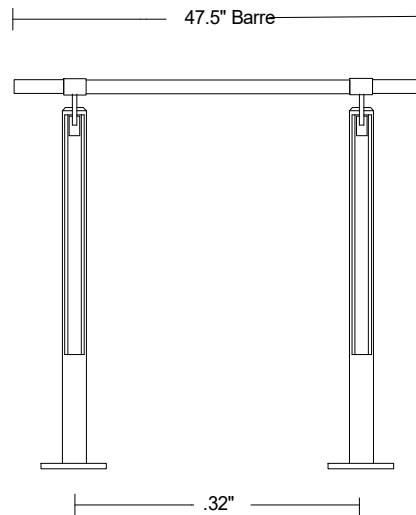




## 4 FT LAYOUT DIAGRAM



### System Components:

- 1) 47.5" Barre
- 2) WB15 Collared Wall Brackets
- 2) Adjustable Floor Stanchions
- 4) Bracket Mounting Hardware
- 4) Barre to Collar Screws
- 4) Bolt Covers
- 1) Instructions Guide

**VITA VIBE, Inc.**  
40 Ellwood Ct. - Greenville, SC 29607  
Tel: 864-288-8934 Fax: 864-751-6302

Proudly  
Manufactured  
In The USA